

Falcon Evo VFA

The Falcon Evo VFA (Variable Forward Arm) is perfect for contractors and municipal environments, where the added benefits of a forward arm is required to improve visibility.

This flagship model in the VFA range provides an unrivalled 2.1m total travel including 1.8m forward reach, resulting in an optimum mid-mounted cutting head position.

Key Features

- 6.5m reach
- Over 2m traverse on variable forward arm
- Axle bracket mounted only
- 125 l/min independent system



Want to know more about the Falcon Evo VFA range?

Scan the QR code with a smart phone or tablet to instantly view the page.



Product Specification

● Standard ○ Optional — Not Available

Falcon Evo VFA	VFA 6.5m P (21'4")
Tractor requirements	
Minimum horse power	120hp
Minimum weight	5500kg / 12125lbs
Base unit mounting options	
Front mount	—
Mid-mount	—
Rear mount	●
Three point linkage (Cat 11)	—
Axle bracket	●
Overall machine parameters	
Machine weight with head and oil	2270kg / 5005lbs
Capacity of oil tank	250L / 66USG
Weight of machine with oil but without head	2050kg / 4519lbs
Controls	
Cable Control (CC)	—
Low pressure hydraulics (LPH)	—
Electronic proportional control (EPP)	○
Intelligent control system (ICS)	●
Cable rotor reverse	○
Electronic rotor reverse	○
Hydraulic system	
System capability	74hp
Pump flow rate	125L / 33USG
Pump type (Gear/Piston/Helical)	Gear
Pump arrangement (Twin/In-line)	Twin
Independent hydraulics	●
Oil cooler	●

Falcon Evo VFA	VFA 6.5m P (21'4")
Arm features and main frame	
Forward arm	1816mm / 6'
Telescopic arm	—
Telescopic arm stroke	—
Power slew	●
Power slew angle	94°
Gravity breakout protection	—
Hydraulic breakout protection	●
Arm float - manual operation	○
Arm float - electronic operation	○
Head float - manual operation	●
Head float - electronic operation	○
Left hand cutting	○
Right hand cutting	○
Left and right hand cutting	—
Arm attachments available	
Variable track bracket (VTB)	—
Sheartrim cutter bar	○
Pro-Saw	○
Ditch cleaner	○
Rotary head	○
Accessories	
Road Lights	●
Debris Blower	○
Cab Guard Kit	●
Cutting heads (For Flail compatibility see page 89)	
1.2m Pro-Cut - 115/150mm roller	●
1.5m Pro-Cut - 115/150mm roller	○
1.2m Pro-Cut ISMP - 115/150mm roller	○
2m HD head	○



Arm float cylinder
To aid grass cutting on roadsides.



Forward reach position
Enables mid-mounted head position with simplicity of rear mounted arm.



Parallel linkage
Comes as standard to assist operator control.

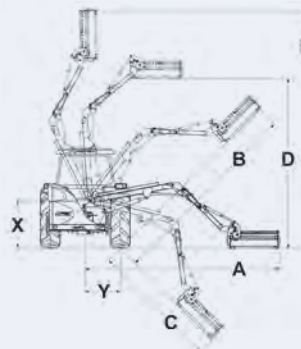


Variable Forward Arm
The VFA allows total flexibility of position during arms operation.

Working Reach

Head used for calcs: 1.2m Pro-Cut

Side Reach Falcon Evo 6.5m P VFA (21'4")	
A	6.5m / 21'4"
B	6.83m / 22'5"
C	4.61m / 15'2"
D	6.03m / 18'9"
E	7.66m / 25'2"
X	1.6m / 5'3"
Y	1.0m / 3'3"



Forward Reach Falcon Evo 6.5m P VFA (21'4")	
A	6.61m / 21'8"
F	5.93m / 19'5"
G	6.4m / 21'
H	1.82m / 6'
J	0.9m / 2'11"

