

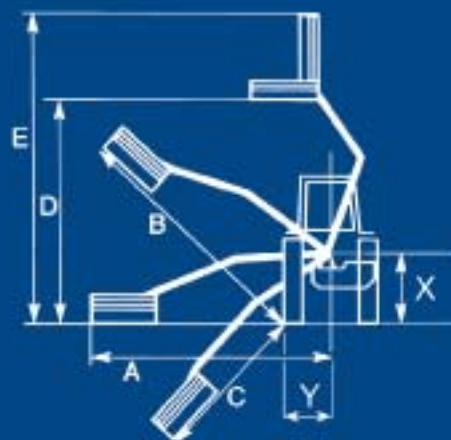
B81-81

Features

- ✓ 8.1m reach
- ✓ Left and right hand side cutting
- ✓ Fully proportional control
- ✓ Oil cooler fitted as standard

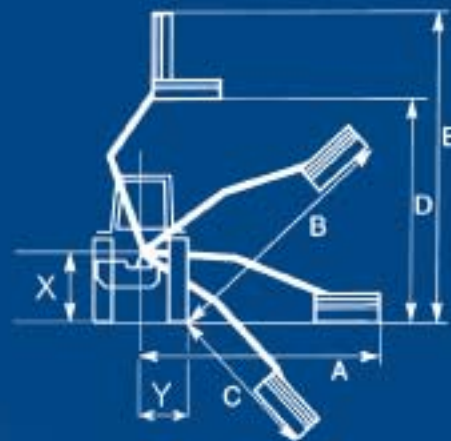


The 81-81 has been designed with dyke, ditch and bank mowing where the ability to change between left or right hand cutting is advantageous.



	B81 8.1m (26' 7")	
A	8.1m	26' 7"
B	8.2m	26' 10"
C	6.5m	21' 4"
D	6.6m	21' 5"
E	9.0m	29' 6"
X	1.35m	4' 7"
Y	1m	3' 4"

Working reach dimensions
Head used for calcs: 1.2m Pro-Cut



B81
8.1m
(26' 7")

Tractor requirements

Minimum horse power	100hp
Minimum weight	4750Kg

Base unit mounting options

Front mount	✗
Mid-mount	✗
Rear mount	•
Three point linkage (CAT II)	✗
Axle bracket	•

Overall machine parameters

Weight of machine without oil or head	1612Kg
Capacity of oil tank	250Litres
Weight of machine with oil but without head	1800Kg

Hydraulic controls

Cable control (CC)	✗
Electronic proportional control (EPP)	•
Intelligent control system (ICS)	•
Low pressure hydraulics (LPH)	✗
Cable rotor reverse	✗
Electronic rotor reverse	•

• = Standard
• = Optional
✗ = Not available

BB1
8.1m
(26' 7")

Hydraulic system

System capability	105/135hp
Pump flow rate	114Litres
Pump type (Gear / Piston / Helical)	G/P
Pump arrangement (Twin / In-line)	T
Independent hydraulics	•
Oil cooler	•

Arm features and main frame

Forward arm	✗
Forward arm reach (Fixed / Variable)	✗
Telescopic arm	•
Telescopic arm stroke	1300mm
Power slow	•
Power slow angle	180°
Gravity breakout	✗
Hydraulic breakout	•
Armfloat - electronic	•
Headfloat - electronic	•
Left hand cutting	•
Right hand cutting	•
Left & right hand cutting	•

Arm attachments available

Variable track bracket (VTB)	✗
Cutter bar	○
Bladed saw head (Blade Runner)	○
Ditch cleaner	○
Rotary head	○

Accessories

Road lights	✗
Debris blower	✗
Warning arrow (Magnetic / Fixed)	✗
Cab guard kit	•

Cutting heads permitted

		MP44	HS40	T60	T40	Pro Flails	BB	Bushmaster
1.2m Pro-Cut 115mm roller	○	Flails	○	○	○	○	○	✗
1.2m Pro-Cut with 150mm roller	○	Flails	○	○	○	○	○	✗
1.2m head ISMP with 115mm roller	○	Flails	○	○	○	○	○	•
1.2m head ISMP 150mm roller	○	Flails	○	○	○	○	○	•
1.5m Pro-Cut with 115mm roller	○	Flails	○	○	○	○	○	✗
1.5m Pro-Cut with 150mm roller	○	Flails	○	○	○	○	○	✗
1.5m head ISMP 115mm roller	○	Flails	○	○	○	○	○	•
1.5m head ISMP 150mm roller	○	Flails	○	○	○	○	○	•